

PP AD star valve bags

AD star bags can be valve or open mouth, with or without perforation. The valve can be on left or right side, and also external (for welding, after filling)

The print can be double-sided, up to six colors.

Width (B) from 43 to 61cm.

Maximum length (L) of cassette bags up to 96cm.

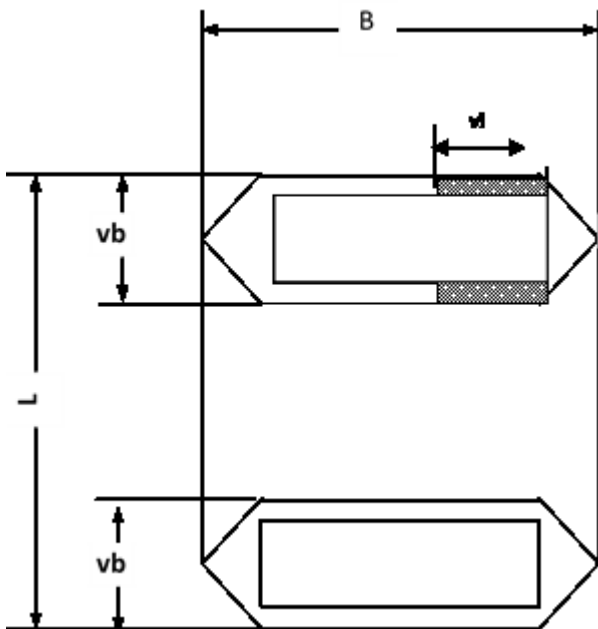
Maximum length of cassette open - up to 99 cm.

Bottom width (Vb) from 9 to 16cm.

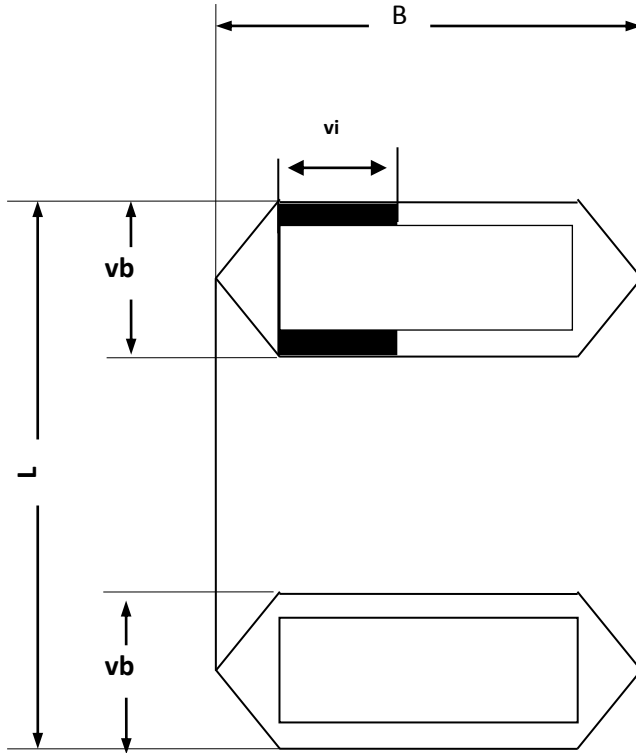
Depth of the valve (VI) from 12 to 22cm

1. Types of AD star bags:

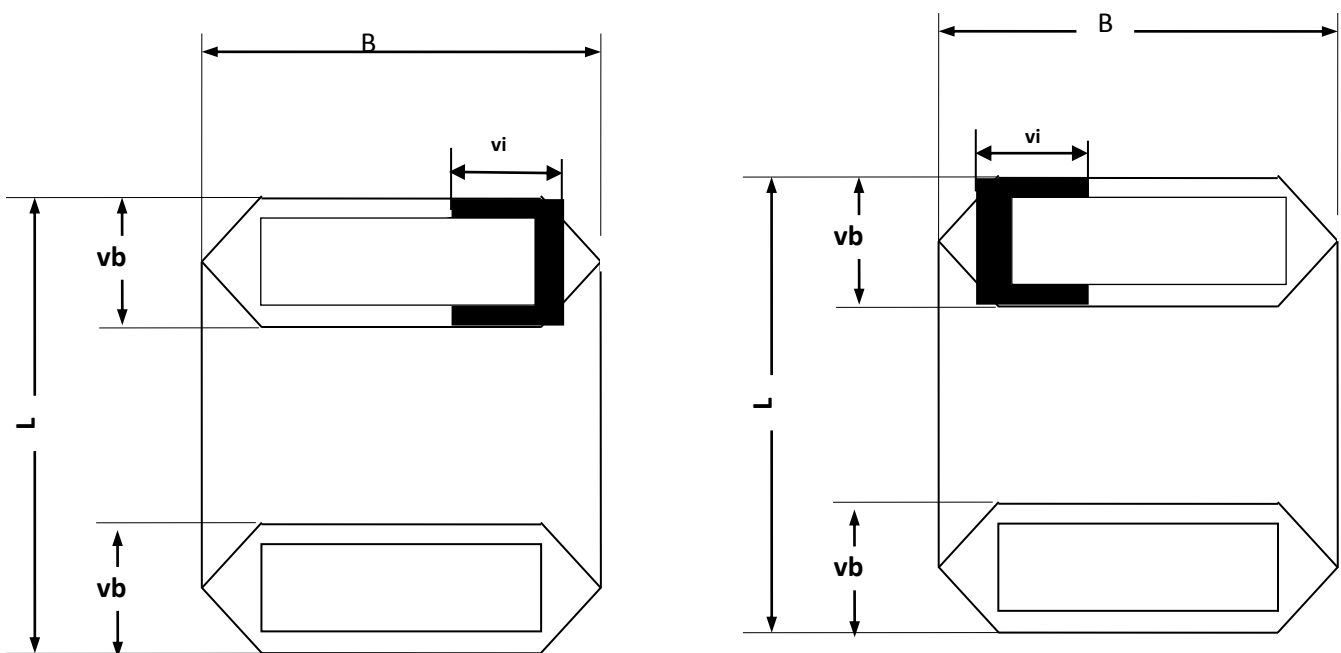
* valve bags with valve in right side - fig. 1.1



*valve bags with valve in left side - fig. 1.2



* AD star bags with valve outside from left or from right side till 5cm- fig.1.3



* AD star open mouth bags - fig. 1.4

